

# Outdoor D-Stand On wheels



## Overview



### Round-the-clock operation

displays can be used as reliable digital signage for both offline and cloud based content 24 hours a day, 7 days a week.



### Moveable

Effortless Mobility with Built-In Wheels for Easy Positioning and Quick Adaptation to Changing Needs.



### 1500 nits

Brilliant Clarity with 1500-Nit Brightness for All Lighting Conditions. Works even with direct sunlight.



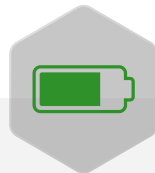
### Full HD

ensures perfect colour and rich details in all possible broadcasting surroundings, ranging from shops, to restaurants and office buildings.



### Anti-Glare

Optical technology diffuses mirror-like reflections and bright lights to help keep what's on your screen clear and visible.



### Batterie operated

A battery-powered digital sign with a 10-hour battery life doesn't need a power outlet, allowing flexible placement throughout the store or outdoors. (optional)



### Waterproof & Dustproof

Unique full-sealed enclosure for outdoor use, Waterproof and dustproof meet IP65.

# Specifications 32"



## Panel

Panel Type:	LED Panel
Model No.:	US-TH320 PLS
Size:	32"
Resolution:	1920 x 1080 (Full HD)
Brightness:	1500 cd/m2
Contrast (Typ):	3500 : 1
Orientation:	Portrait
Operating Hours:	24 / 7
Response time:	6 ms
Aspect ratio:	16 : 9
Display Area W x H:	697,8 x 392,2 mm



## Battery

Technology:	Integrated polymer lithium battery
Charging time:	7 hours
Battery life:	14 hours
Battery capacity	3500 mAh
Input Voltage:	24 V



## Speaker

Built in speaker:	2 x 5 W (8Ω)
-------------------	--------------



## Power

Input:	AC100V~240V
Power Consumption:	≤100W
Standby Consumption:	≤3W



## Environment

Operation Temperature:	-50 ~ 110 C
Operation Humidity:	10% - 90 %



## Operating System

OS:	Android 13
-----	------------



## Connectivity

HDMI out:	1 x
USB	2 x
RJ45	1 x



## Physical

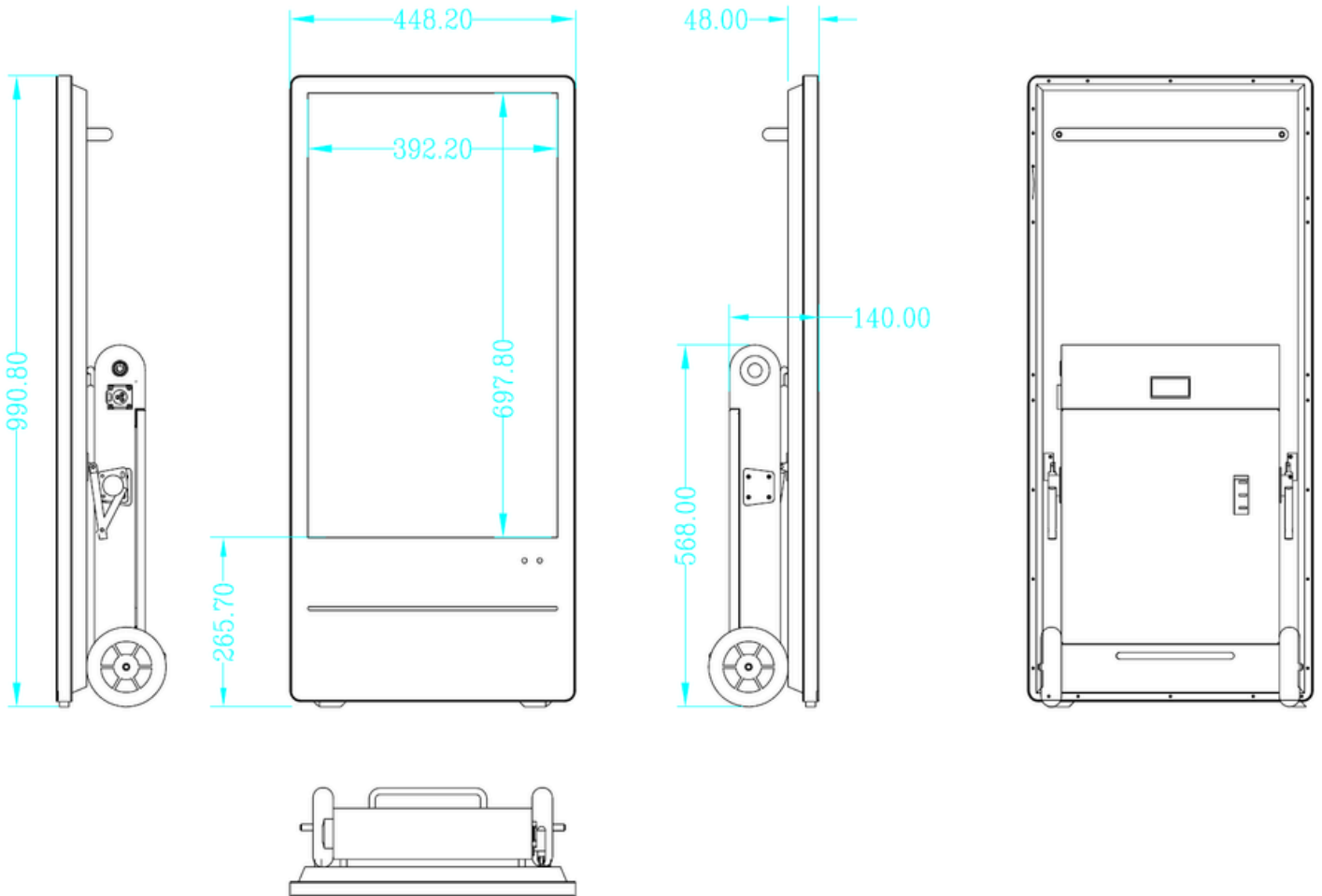
Bezel Color:	Black, Metal case SPCC
Waterproof Level:	IP65
Set Dimension (WxHxD):	990 x 148 x 448 mm
Net Weight:	35 KG
Packing Dimension (WxHxD):	1100 x 300 x 600 mm
Packed Weight:	40 KG
Installation:	Floor Standing on wheels (Portable/Moveable)



## Certification

Standard Certification:	CE, FCC, ROHS
Quality Standard	ISO9001, CCC

# Dimensions 32"



# Specifications 43"



## Panel

Panel Type:	LED Panel
Model No.:	US-TH430 PLS
Size:	43"
Resolution:	1920 x 1080 (Full HD)
Brightness:	1500 cd/m2
Contrast (Typ):	3500 : 1
Orientation:	Portrait
Operating Hours:	24 / 7
Response time:	6 ms
Aspect ratio:	16 : 9
Display Area W x H:	940 x 530



## Battery

Technology:	Integrated polymer lithium battery
Charging time:	7 hours
Battery life:	14 hours
Battery capacity:	50000 mAh
Input Voltage:	24 V



## Speaker

Built in speaker:	2 x 5 W (8Ω)
-------------------	--------------



## Power

Input:	AC100V~240V
Power Consumption:	≤100W
Standby Consumption:	≤3W



## Environment

Operation Temperature:	-50 ~ 110 C
Operation Humidity:	10% - 90 %



## Operating System

OS:	Android 13
-----	------------



## Connectivity

HDMI out:	1 x
USB	2 x
RJ45	1 x



## Physical

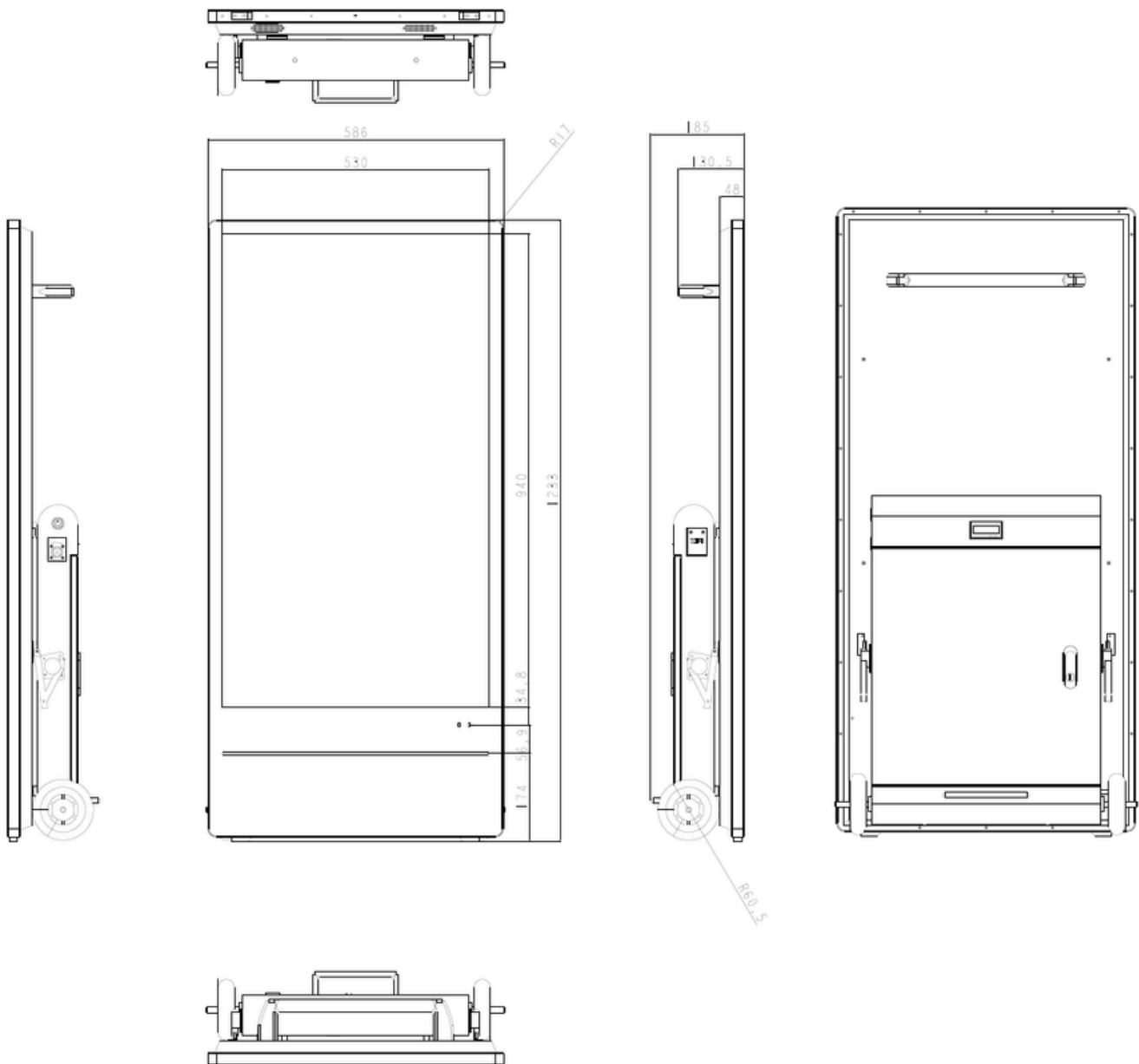
Bezel Color:	Black
Waterproof Level:	IP65
Set Dimension (WxHxD):	1236 x 148 x 588 mm
Net Weight:	40 KG
Packing Dimension (WxHxD):	1350 x 300 x 700 mm
Packed Weight:	48 KG
Installation:	Floor Standing on wheels (Portable/Moveable)



## Certification

Standard Certification:	CE, FCC, ROHS
Quality Standard	ISO9001, CCC

# Dimensions 43"



# Specifications 55"



## Panel

Panel Type:	LED Panel
Model No.:	US-TH550 PLS
Size:	55"
Resolution:	1920 x 1080 (Full HD)
Brightness:	1500 cd/m2
Contrast (Typ):	3500 : 1
Orientation:	Portrait
Operating Hours:	24 / 7
Response time:	6 ms
Aspect ratio:	16 : 9
Display Area W x H:	1209,6 x 680,4 mm



## Battery

Technology:	Integrated polymer lithium battery
Charging time:	7 hours
Battery life:	14 hours
Battery capacity:	55000 mAh
Input Voltage:	24 V



## Speaker

Built in speaker:	2 x 5 W (8Ω)
-------------------	--------------



## Power

Input:	AC100V~240V
Power Consumption:	≤100W
Standby Consumption:	≤3W



## Environment

Operation Temperature:	-50 ~ 110 C
Operation Humidity:	10% - 90 %



## Operating System

OS:	Android 13
-----	------------



## Connectivity

HDMI out:	1 x
USB	2 x
RJ45	1 x



## Physical

Bezel Color:	Black, Metal Case SPCC
Waterproof Level:	IP65
Set Dimension (WxHxD):	1400 x 148 x 756 mm
Net Weight:	65 KG
Packing Dimension (WxHxD):	1550 x 300 x 900 mm
Packed Weight:	88 KG
Installation:	Floor Standing on wheels (Portable/Moveable)



## Certification

Standard Certification:	CE, FCC, ROHS
Quality Standard	ISO9001, CCC

# Dimensions 55"

